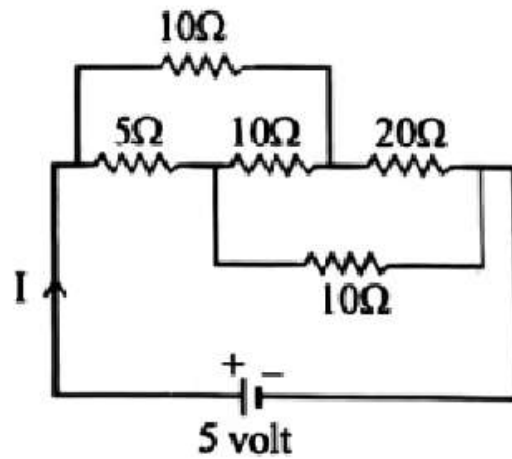


Q 05

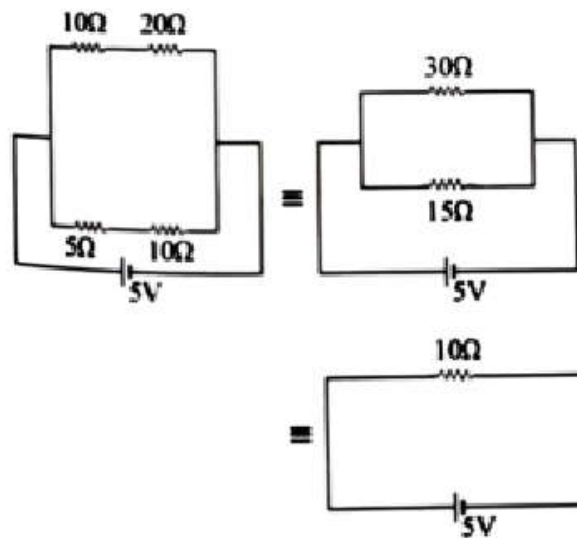
The current I drawn from the 5 volt source will be [2006]



- (a) 0.33A (b) 0.5A (c) 0.67A (d) 0.17A

ans

- (b) The network of resistors is a balanced wheatstone bridge. The equivalent circuit is



$$R_{eq} = \frac{15 \times 30}{15 + 30} = 10 \Omega$$

$$\Rightarrow I = \frac{V}{R} = \frac{5}{10} = 0.5 \text{ A}$$