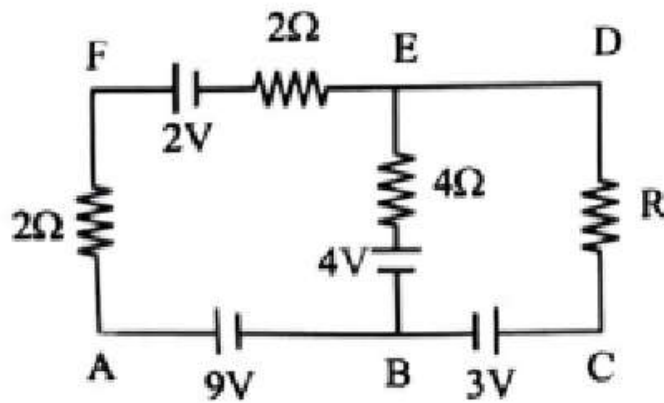


Q 04

In the electric network shown, when no current flows through the 4Ω resistor in the arm EB, the potential difference between the points A and D will be :

[Online April 11, 2015]



- (a) 6 V
- (b) 3 V
- (c) 5 V
- (d) 4 V

answer

(c) As no current flows through arm EB then

$$V_D = 0\text{V}$$

$$V_E = 0\text{V}$$

$$V_B = -4\text{V}$$

$$V_A = 5\text{V}$$

So, potential difference between the points A and D

$$V_A - V_D = 5\text{V}$$