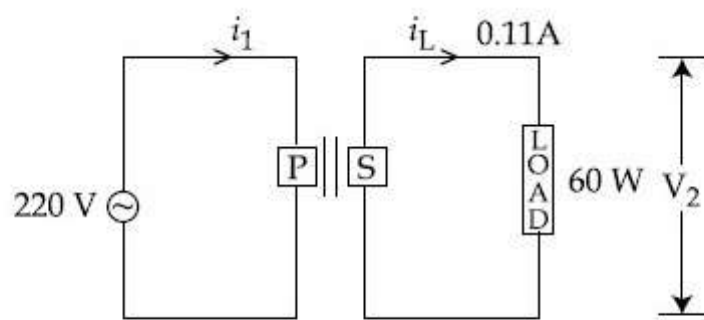


For the given circuit, comment on the type of transformer used. [JEE MAIN 2021](#)



- A Auxiliary transformer
- B Step down transformer
- C Step-up transformer
- D Auto transformer

3. In given figure,

$$P_s = 60 \text{ W}, I_s = 0.11 \text{ A}, \varepsilon_p = 220 \text{ V}$$

$$\therefore P_s = (\varepsilon_s)(I_s)$$

$$\Rightarrow 60 = (\varepsilon_s)(0.11)$$

$$\Rightarrow \varepsilon_s = \frac{6000}{11} \Rightarrow 545.45 \text{ V}$$

As $\varepsilon_s > \varepsilon_p \Rightarrow$ Given transformer is step-up transformer