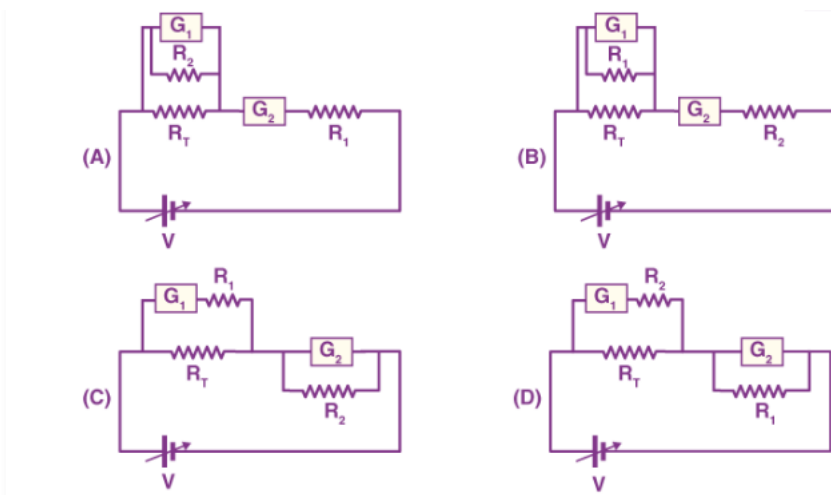


Question 2) To verify Ohm's law, a student is provided with a test resistor  $R_T$ , a high resistance  $R_1$ , a small resistance  $R_2$ , two identical galvanometers  $G_1$  and  $G_2$ , and a variable voltage source  $V$ . The correct circuit to carry out the experiment is



Solution:

