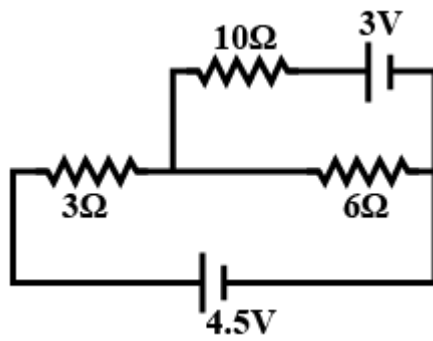


Problem) Find the current through the 10 resistor shown in figure



- 1) zero
- 2) 1A
- 3) 2A
- 4) 5A