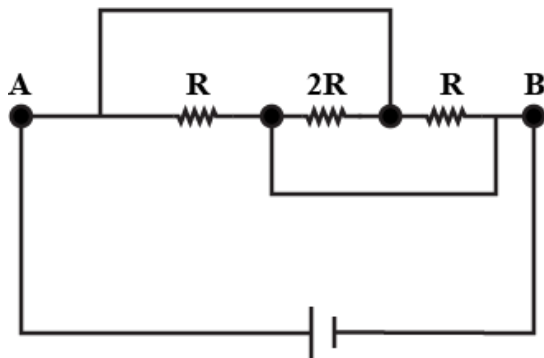


Problem) In the figure shown the current flowing through $2R$ is :



- 1) from left to right
- 2) from right to left
- 3) no current
- 4) None of these