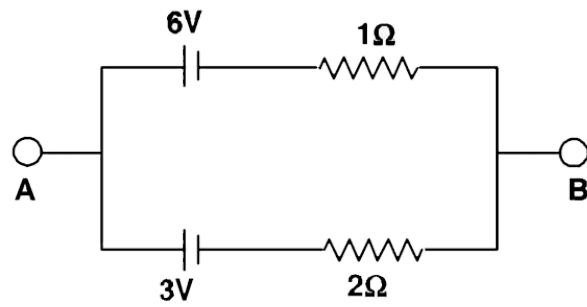


Problem) Two batteries of different emfs and different internal resistances are connected as shown. The voltage across AB in volts is

[IIT-JEE 2011; 4/160]



Answer:- 5