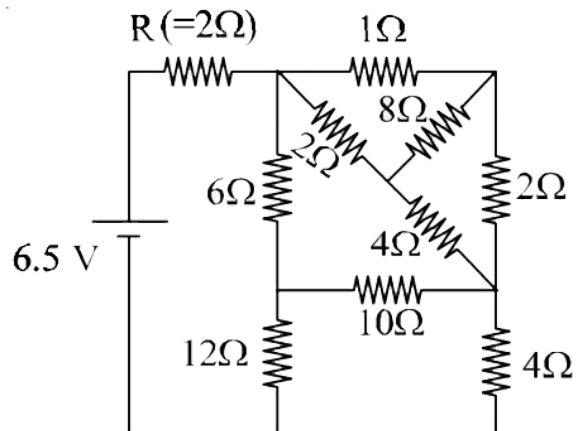


Problem) In the following circuit, the current through the resistor $R (= 2)$ is Amperes. The value of i is : (integer type)

[JEE (Advanced) 2015 ; P-2,4/88]



Answer - 1