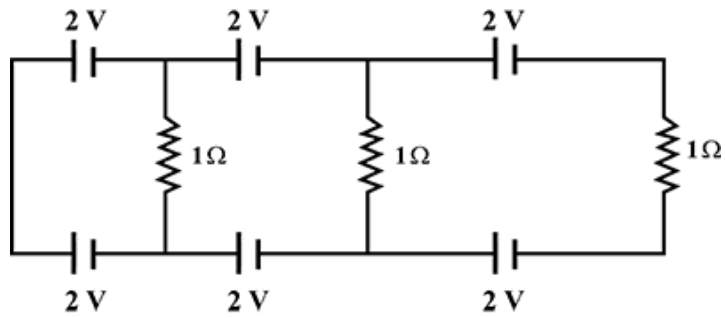


Problem) In the above circuit the current in each resistance is :

[JEE (Main) 2017, 4/120, -1]



- (1) 0 A
- (2) 1 A
- (3) 0.25 A
- (4) 0.5 A

Answer - 1