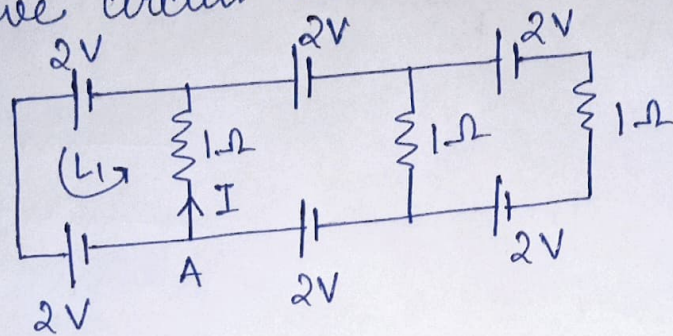


# JEE PROBLEMS

JEE MAIN 2017

Q. In the above circuit the current in each resistance is



- (a) 0.5 A
- (b) 0 A
- (c) 1 A
- (d) 0.25 A

Answer: Applying Kirchoff's voltage law in loop L1 (starting from A)

$$-I + 2 - 2 = 0$$

$$\Rightarrow I = 0$$

∴ correct option - (b)